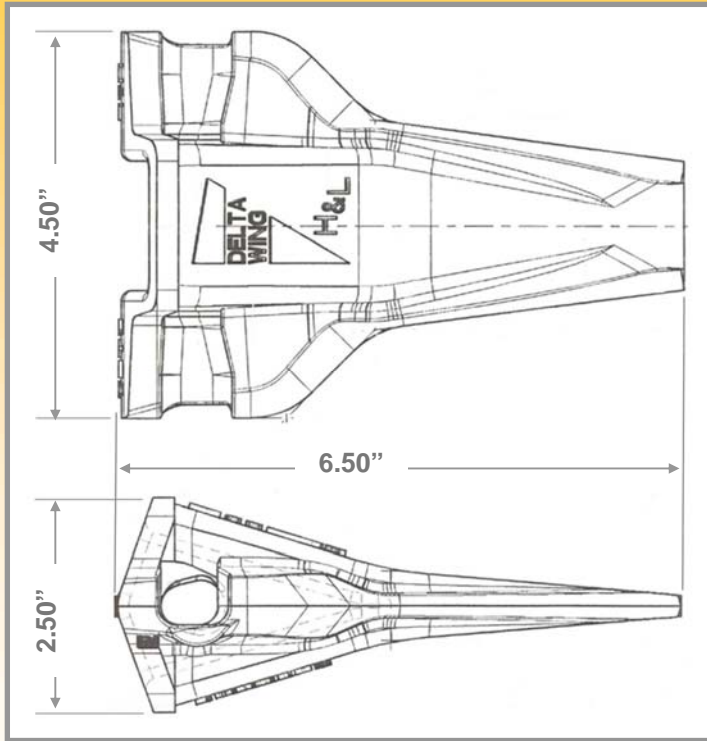
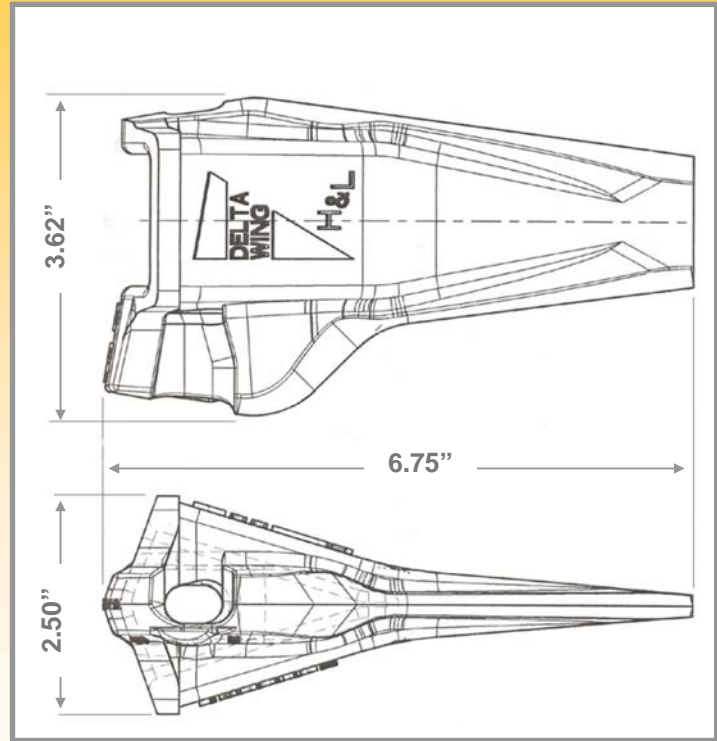


230 SERIES DELTAWING™ TOOTH SYSTEM

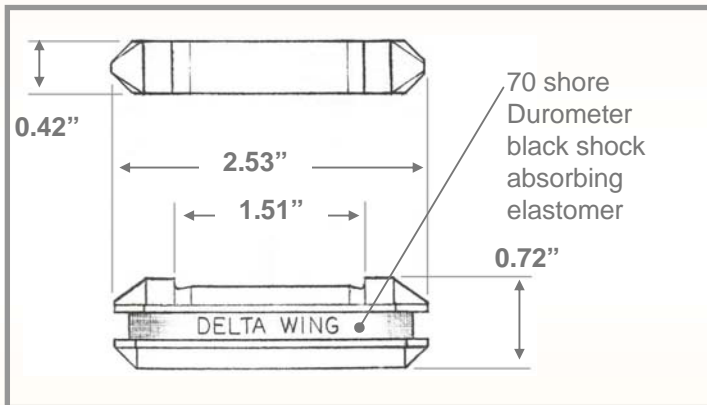
230SP-5 Sharp Penetration
3.2#/1.5kgs



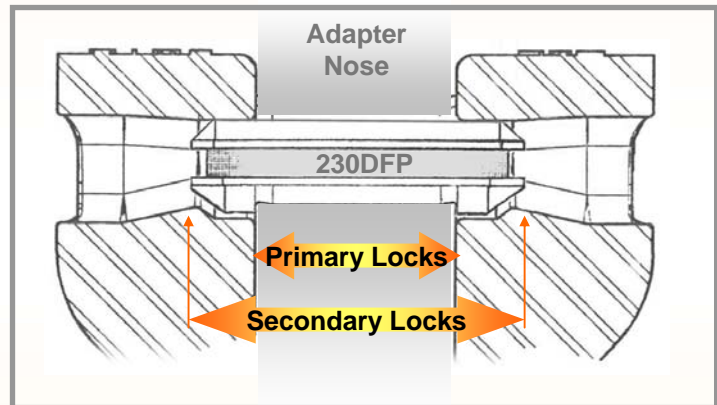
230SP-5C Corner Penetration
2.9#/1.3kgs



230DFP DeltaWing™ Flexpin®
0.2#/0.09kgs



230DFP DeltaWing™ Attachment
Flexpin® Dual Locking on the Wings



DeltaWing™ teeth stays sharp for increased bucket penetration, increases bucket capacity and reduces wear scalloping that causes expensive bucket lip maintenance.

What's on your bucket?

WEAR SCALLOPING

